

ROHS COMPLIANT

D-SUB FEMALE High density Solder type Machine Pin

MATERIALS AND FINISH

SHELL: STEEL MATERIAL, FRONT SHELL NICKEL FINISHED
 BACK SHELL NICKEL FINISHED
 INSULATOR: PBT THERMOPLASTIC, 30% GLASS
 FILLED, UL 94V-0 RATED, WHITE COLOR
 CONTACT MATERIAL: BRASS
 CONTACT FINISH: FULL 2u" GOLD

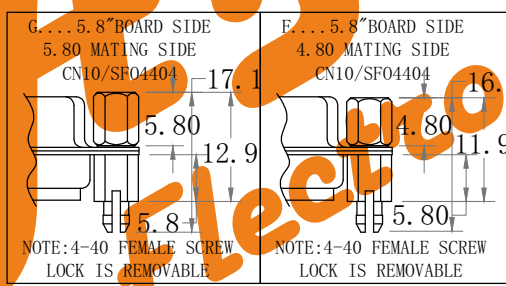
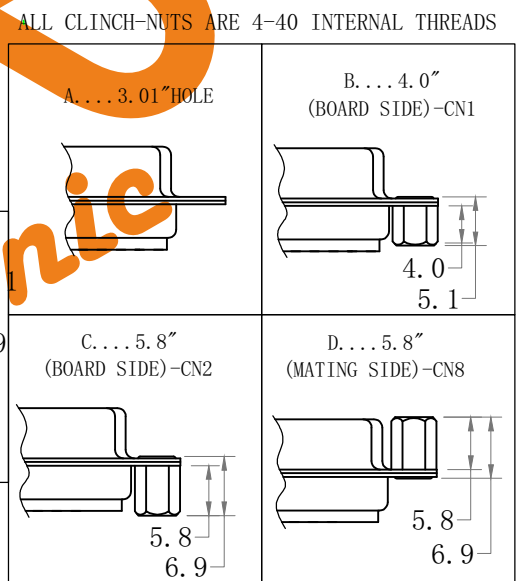
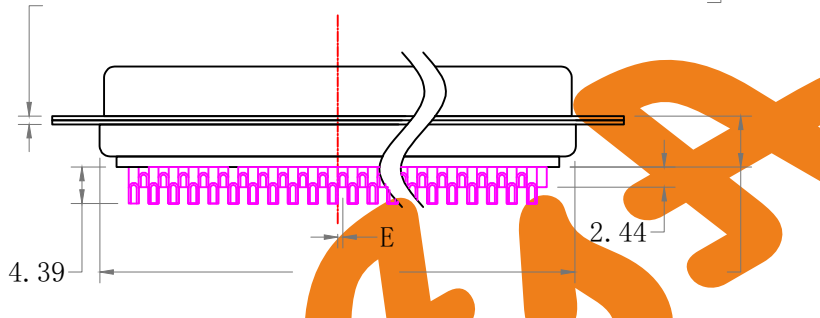
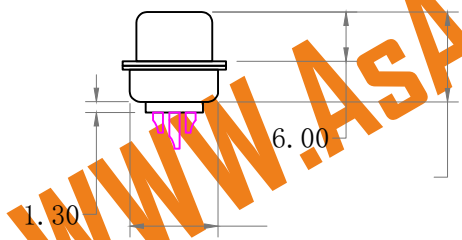
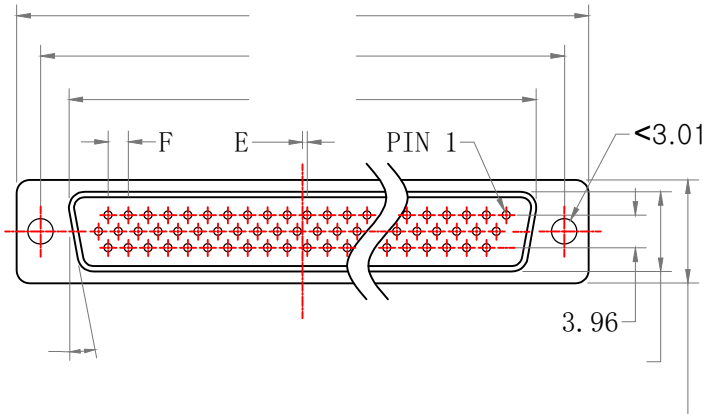
ELECTRICAL CHARACTERISTICS

CONTACT CURRENT RATING : 5.0 AMPS
 CONTACT RESISTANCE : 30 MILLIOHMS MAX.
 DIELECTRIC WITHSTANDING VOLTAGE : 1000 V AC MIN
 INSULATION RESISTANCE : 5000 MEGAOHMS MIN

Ordering Code:

MHDB01 - F - X - X - X - X
 ① ② ③ ④ ⑤ ⑥

- ① MHDB Series
- ② Contact Type:
M: Female
- ③ Contact NO. :
15=15Pin 26=26Pin
44=44Pin 62=62Pin
- ④ Mounting Option:
A: <3.05" HOLE, NO HARDWARE
B: 4.0" 4-40 INSERT, BOARD SIDE
C: 5.8" 4-40 INSERT, BOARD SIDE
D: 5.8" 4-40 INSERT, MATING SIDE
E: 5.8" 4-40 BOARD LOCK, BOARD SIDE
F: 5.8" BOARD LOCK, BOARD SIDE
4.80" SCREW LOCK, MATING SIDE
G: 5.8" BOARD LOCK, BOARD SIDE
5.80" SCREW LOCK, MATING SIDE
- ⑤ Insulation Color Code:
B: Black G: Grey
W: White L: Blue
- ⑥ Contact Plating
T: Tin plated
S: Selective Gold
G0: Gold flash G1 :3u" Gold
G2 :5u" Gold G3 :10u" Gold
G4 :15u" Gold G5 :30u" Gold



DIMENSIONS (mm)

No. OF PINS	A	B	C	D	E	F
15	16.92	24.99	30.81	19.28	0.25	2.29
26	25.25	33.33	39.14	27.51	0.51	2.29
44	38.96	47.04	53.04	41.28	0.51	2.29
62	55.42	63.50	69.32	57.71	0.58	2.39

ACCEPTS 28-24 AWG WIRE

12/5/3
DATE

Unless Otherwise specified tolerance
 SCALE: 1:1 UNIT: mm
 DRAWN: junfon H
 CHECKED: YANG

AsA Electronic Co.
 WWW.AsA-Elec.com
 Tel : (+98) 21 66 73 56 82 Mob : (+98) 912 03 161 02

TITLE:
D-SUB FEMALE High density Solder type Machine Pin

DRAWING NO: MHDB01-FXXXXX
 PRODUCT NO: MHDB01-FXXXXX

